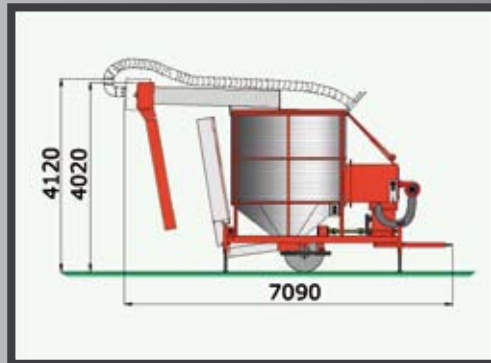
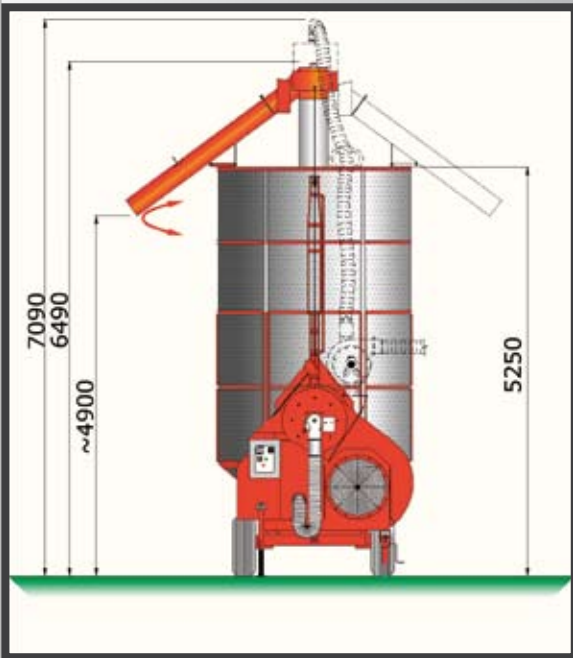


SUPER 120



TECHNICAL DATA

Batch capacity

Tons wet maize 12 (17 m³)

AVERAGE DAILY OUTPUT 24h in tons

Maize from 28% to 14% 50
 Wheat/Barley from 20% to 15% 70
 Oil seed rape from 14% to 9% 65

POWER REQUIRED

Model Pto drive - Tractor min. size of HP 65
 or single electric drive motor 30 kW (40 HP)

Model electric drive - Mains supply line of kW 23

Size main electric motor	(kW)	(HP)
- fan	11.5	15
- central auger	15	20
- filling auger	5.5	7.5
- dust extractor	2.2	3
- burner	0.75	1

FAN

Design centrifugal
 Revs/Min. 1.450
 Air flow m³/h max* 35.000

* The air flow volume refers to the fan as separate unit.

BURNER

Diesel, Automatic twin stage (Gas as option)
 Caloric power Kcal/h max. 700.000

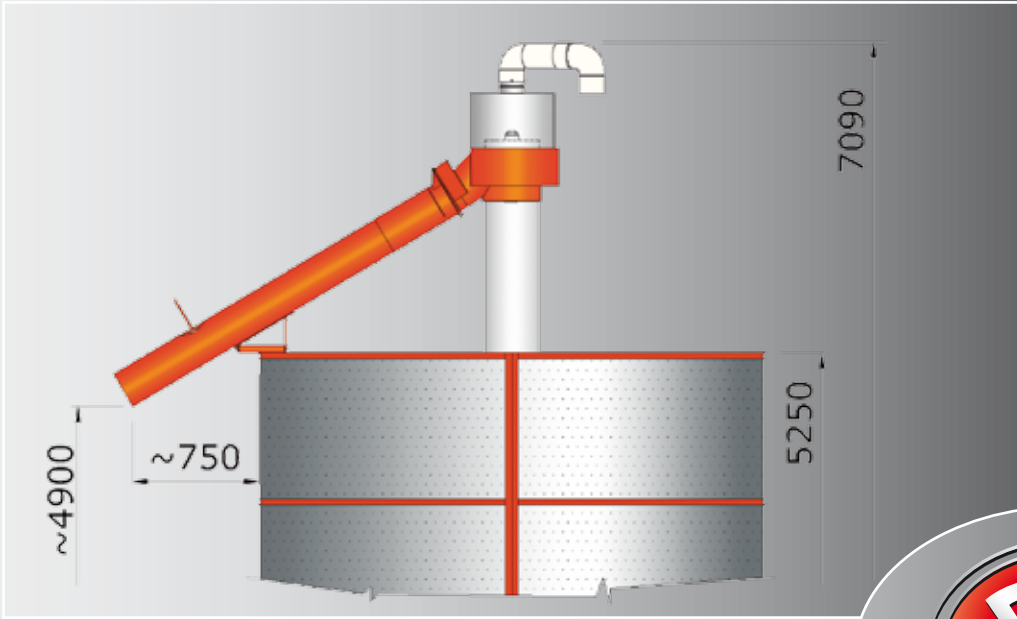
Centre Auger Ø 350 mm, capacity tons/h 65
 Filling Auger Ø 200 mm, capacity tons/h 45

FUEL CONSUMPTION

Liters per ton of maize from 28% to 14% approx 15
 Kcal per liter of water evaporated approx 900

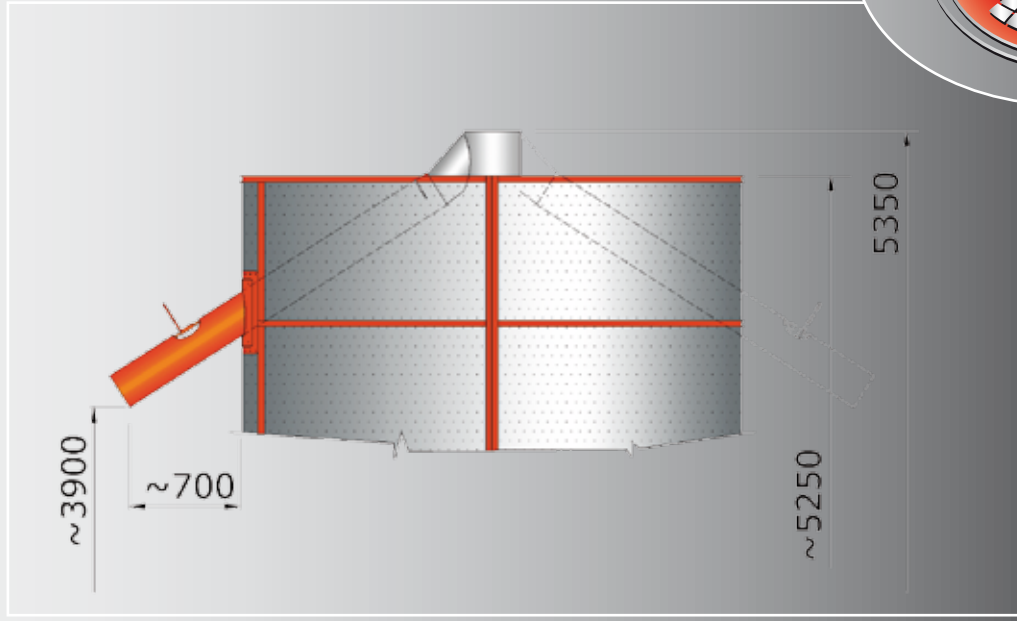
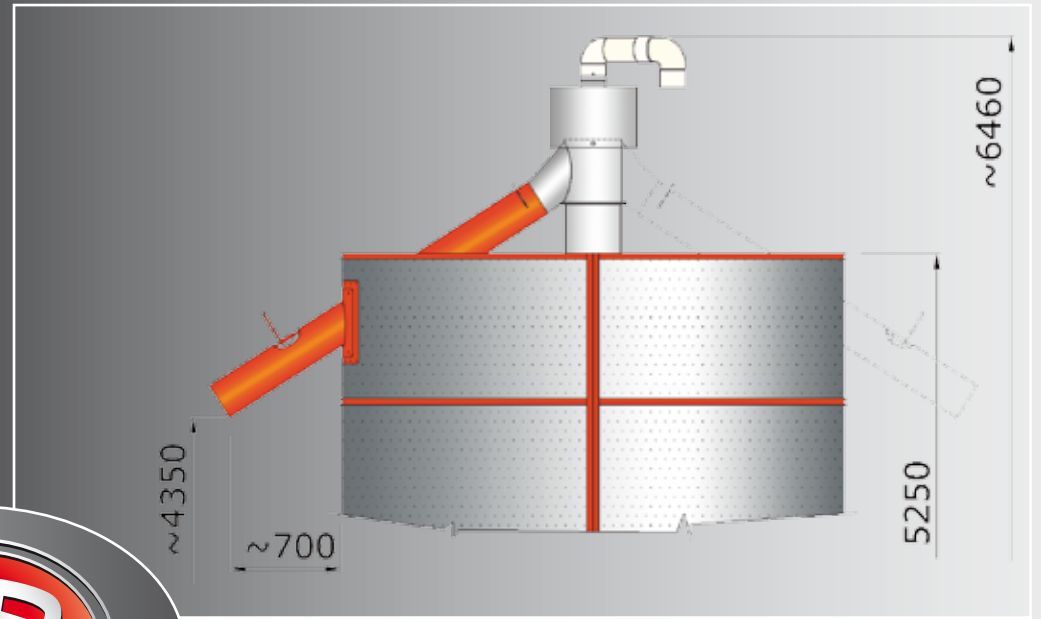
N.B: All performance figures are largely depending of the ambient temperature, relative air humidity, maturity and cleanliness of crops to be dried

A Option with dust extractor
Single roll discharging chute working in two positions

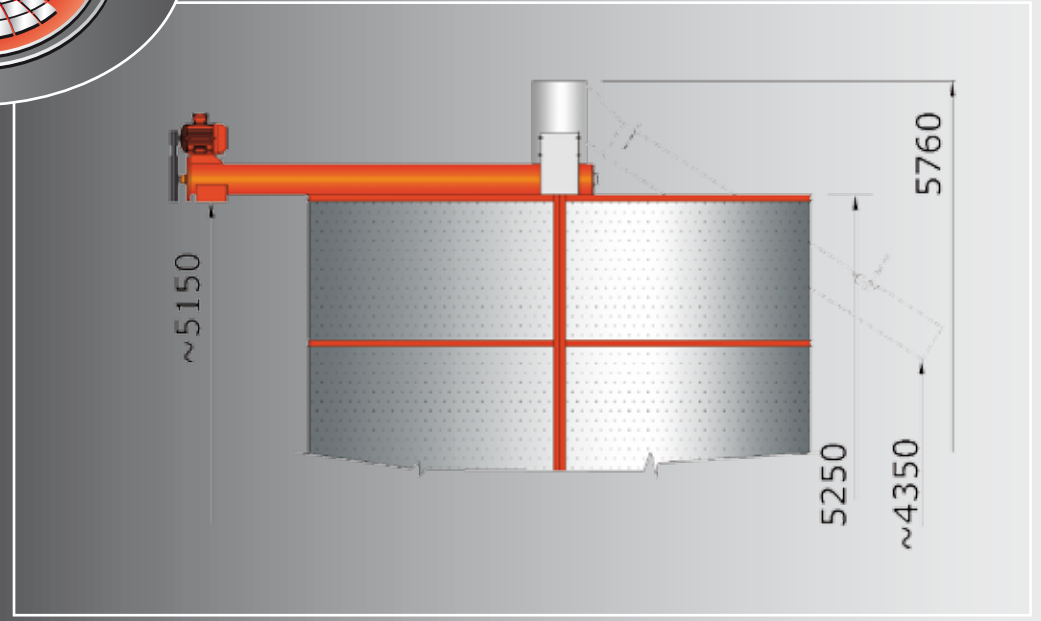


Alternative discharging options
O/A heights refer to fix screen machine

B Option for lowest height with dust extractor
Single fix discharging chute - double as option



C Option for lowest height
Single fix discharging chute - double as option



D Option for horizontal discharging chute
Single fix discharging chute, fix and motorized

SUPER 120